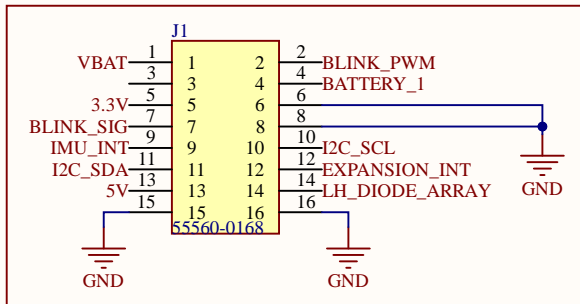
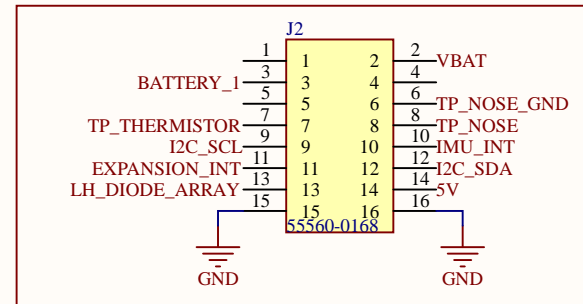


MCU BOARD CONNECTOR



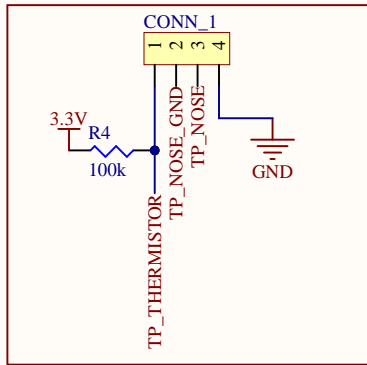
POWER BOARD CONNECTOR



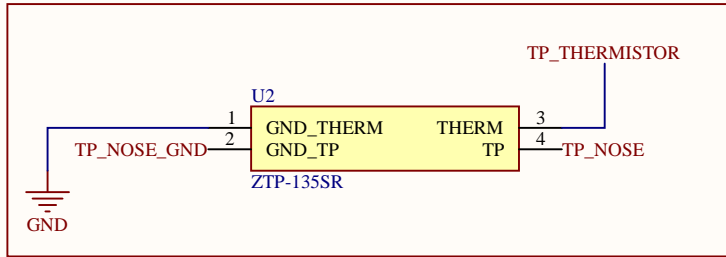
Title		
CONNECTORS		
Size	Number	Revision
A		2.0
Date:	4/15/2021	Sheet of
File:	D:\OneDrive - Massachusetts Institute of Technology\Schaefer\PCB\PCB\CONNECTIONS\CONNECTIONS.DWG	

THERMOPILE CIRCUIT

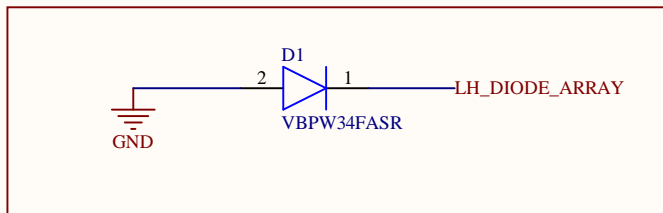
THERMOPILE CIRCUIT CONNECTOR



THERMOPILE

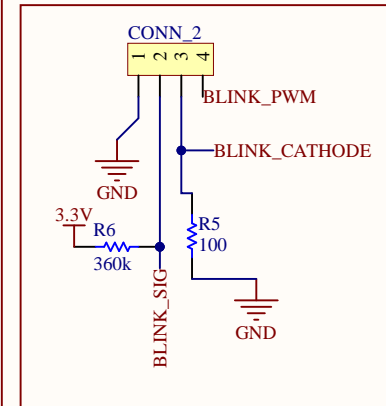


VIVE DIODE

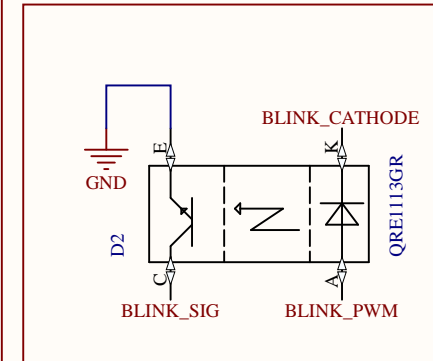


BLINK SENSOR CIRCUIT

BLINK CIRCUIT CONNECTOR

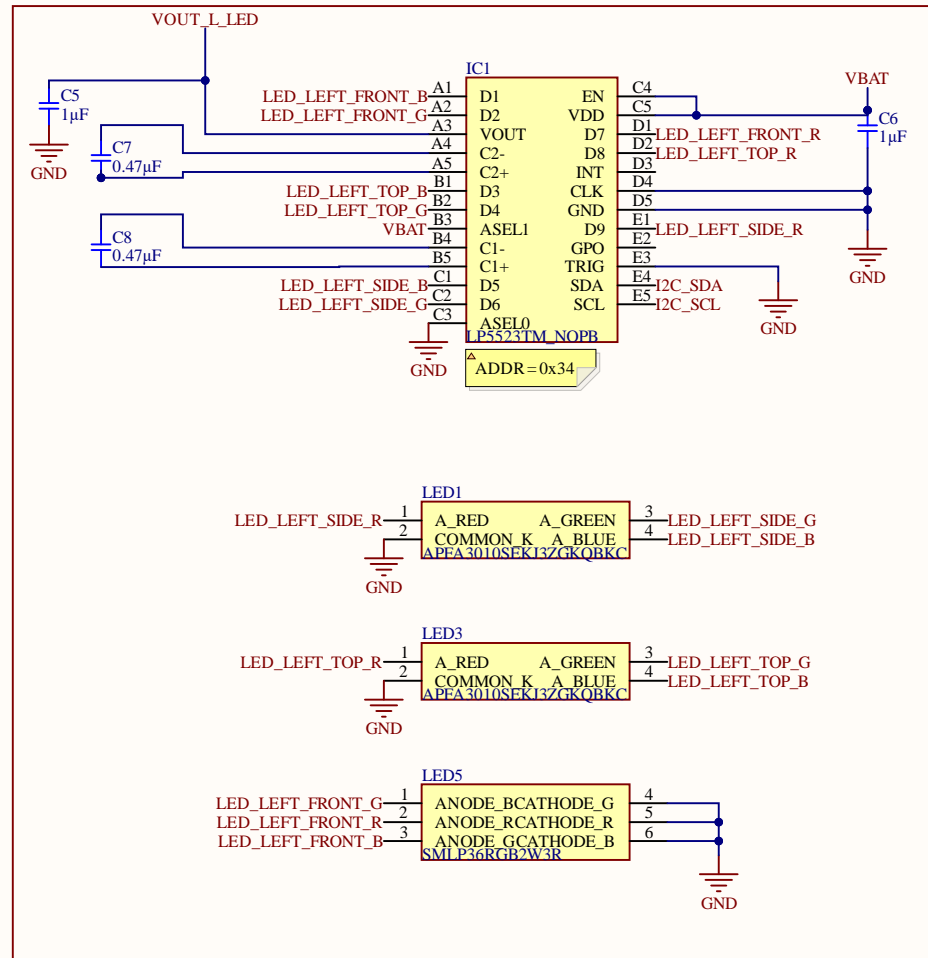


BLINK SENSOR

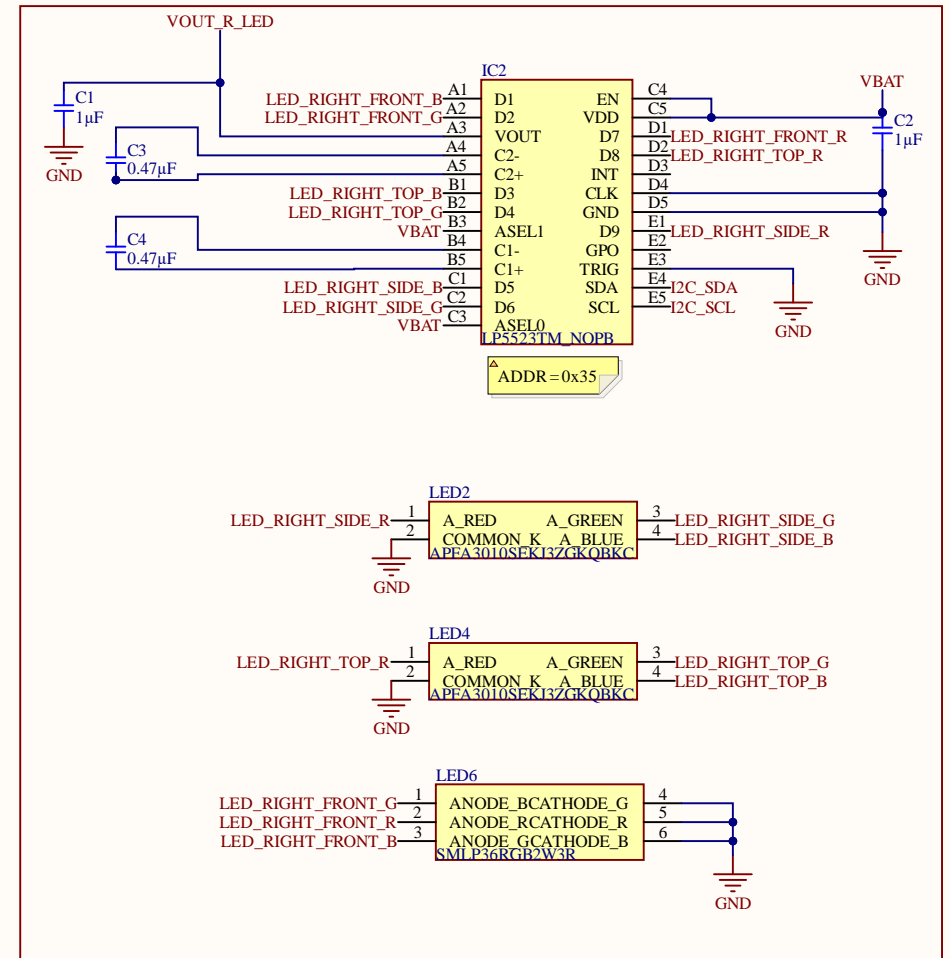


Title			FRONT FLEX SENSORS
Size	Number	Revision	
A		2.0	
Date:	4/15/2021	Sheet of	
File:	D:\OneDrive - Massachusetts Institute of Technology\Scanned\PCB\CHWALEK		

LEFT-SIDE CIRCUIT



RIGHT-SIDE LED CIRCUIT



Title			LEDS		
Size	Number		Revision		
Letter			2.0		
Date:	4/15/2021		Sheet of		
File:	D:\OneDrive - Massachusetts Institute of Technology\SEA\TJCS\DWALEK		1 of 1		